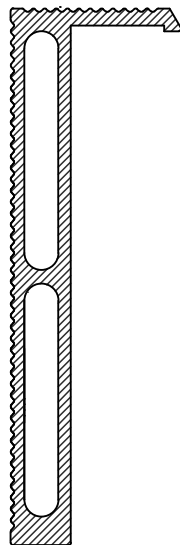
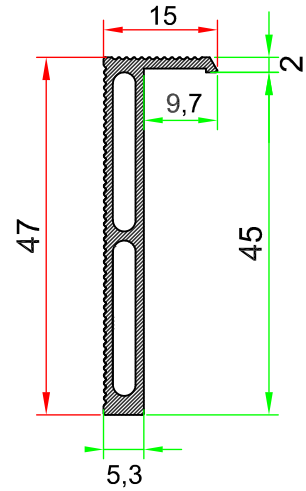


# Light 46 Art.10046

Massivbau/Strutture massicce/Solid construction/Maçonnerie  
Tynk/Omietka



METAMOD, s.r.o. - 085 01 Bardejov

Drawing	Art 10046	Scala 1:1	Date	16/12/2010
This drawing is copyright by AGS-systems and exclusive, protected by law and cannot reproduced without written affirmation				METAMOD s.r.o. - 08501 Bardejov (Slovakia) Kpt.Nálepku 64 tel. +421/ 948 182 171 - info@metamod.sk